

FLOWMETERS FOR WATER AND GAS (with suspended solids)

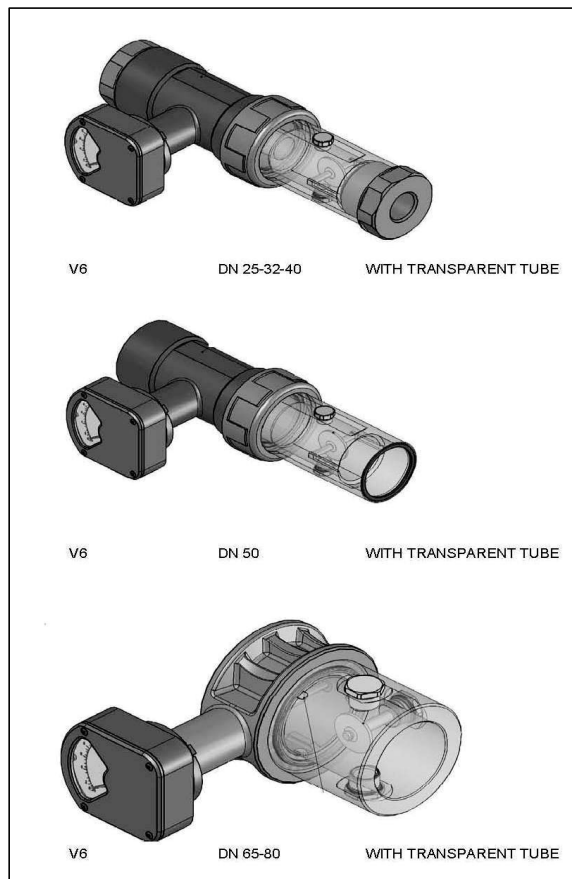
Prod date > 01/2008

Model V6 flap flowmeters according EN12845 standard

For flow rate Q25-250 m³/h (DN25-80 mm)

002110825	FLOWMETER V6-2800 DN25 Q25 complete (with SV6-2800)
002110826	FLOWMETER V6-2900 DN32 Q40 complete (with SV6-2900)
002110827	FLOWMETER V6-3000 DN40 Q55 complete (with SV6-3000)
002110828	FLOWMETER V6-3100 DN50 Q85 complete (with SV6-3100)
002110829	FLOWMETER V6-3200 DN65 Q145 complete (with SV6-3200)
002110830	FLOWMETER V6-3300 DN80 Q200/250 complete (with SV6-3300)

Flap asameter V6 with indication box get complete with wheel asameter SV6



Execution
TEE (Threaded 2")

Execution
TEE (Threaded 2")

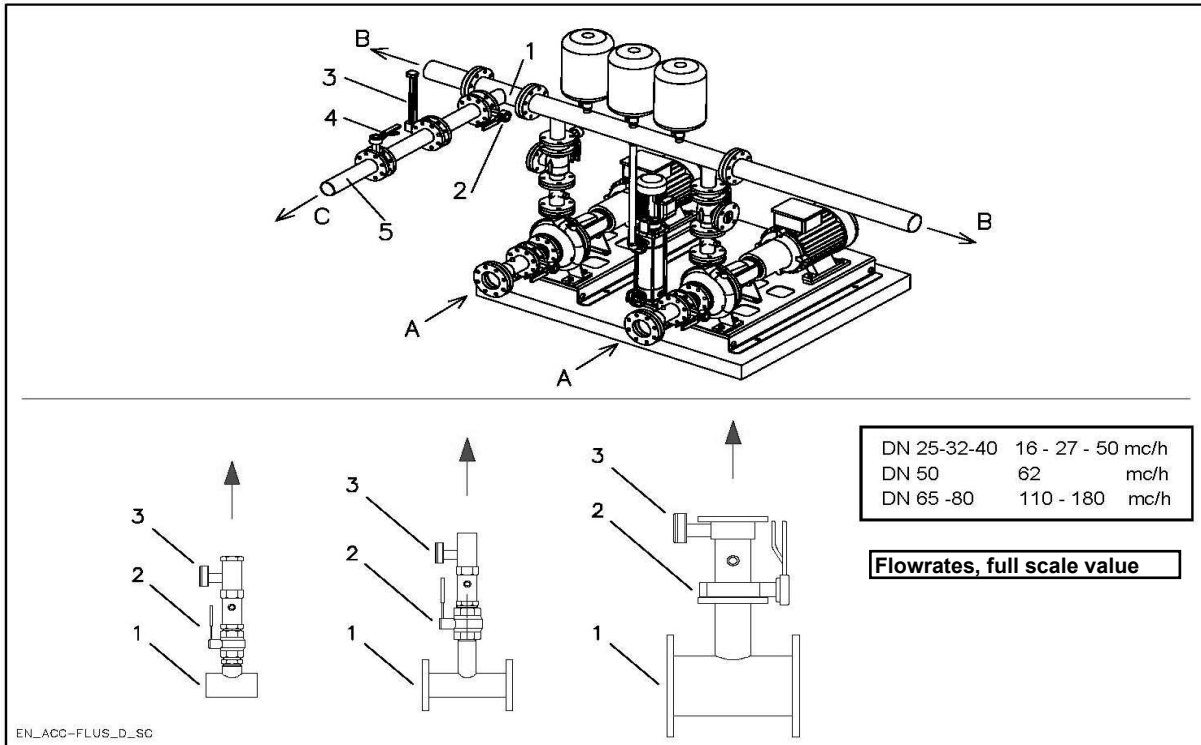
Execution
wafer

SPARE PARTS FOR ASAMETERS V6 complete with SV6

002110870	SV6-2800	TRANSPARENT SPARE x FLOWMETER DN25 V6
002110871	SV6-2900	TRANSPARENT SPARE x FLOWMETER DN32 V6
002110872	SV6-3000	TRANSPARENT SPARE x FLOWMETER DN40 V6
002110873	SV6-3100	TRANSPARENT SPARE x FLOWMETER DN50 V6
002110874	SV6-3200	TRANSPARENT SPARE x FLOWMETER DN65 V6
002110875	SV6-3300	TRANSPARENT SPARE x FLOWMETER DN80 V6
Transparent tube x flowmeter get glass-PVC made		

FLOWMETERS FOR WATER AND GAS (with suspended solids)

Prod date > 01/2008



EN_ACC-FLUS_D_SC

	it	en
A	Aspirazione	Suction
B	All'impianto	To trunk main
C	Ritorno alla vasca	Pipe return
1	Derivazione T collegare al collettore di mandata	Tee to connect on discharge manifold
2	Valvola dell'impianto di misura della portata. Tenere completamente aperta durante la misura	Installation valve of flow meter piping. Must be completely open during the test
3	Flussimetro	Flowmeter
4 *	Valvola di regolazione della portata	Flow rate regulation valve
5 *	Scarico a vista	Open discharge
	* non fornito	* not supplied

002110825 FLOWMETER V6-2800 DN25

109421530 SET FLOWMETER EN 12845 32X25P/PN16
109421570 SET FLOWMETER EN 12845 40X25P/PN16
109421620 SET FLOWMETER EN 12845 50X25P/PN16

002110826 FLOWMETER V6-2900 DN32

109421580 SET FLOWMETER EN 12845 40X32P/PN16
109421590 SET FLOWMETER EN 12845 40X40P/PN16
109421630 SET FLOWMETER EN 12845 50X32P/PN16
109421690 SET FLOWMETER EN 12845 65X32P/PN16

002110827 FLOWMETER V6-3000 DN40

109421640 SET FLOWMETER EN 12845 50X40P/PN16
109421700 SET FLOWMETER EN 12845 65X40P/PN16
109421750 SET FLOWMETER EN 12845 80X40P/PN16

002110828 FLOWMETER V6-3100 DN50

109421710 SET FLOWMETER EN 12845 65X50P/PN16
109421760 SET FLOWMETER EN 12845 80X50P/PN16
109421800 SET FLOWMETER EN 12845 100X50P/PN16

002110829 FLOWMETER V6-3200 DN65

109421720 SET FLOWMETER EN 12845 65X65P/PN16
109421770 IT FLUSSIMETRO EN 12845 80X65P/PN16
109421810 IT FLUSSIMETRO EN 12845 100X65P/PN16
109421840 IT FLUSSIMETRO EN 12845 125X65P/PN16
109421860 IT FLUSSIMETRO EN 12845 150X65P/PN16

002110830 FLOWMETER V6-3300 DN80

109421780 SET FLOWMETER EN 12845 80X80P/PN16
109421820 SET FLOWMETER EN 12845 100X80P/PN16
109421850 SET FLOWMETER EN 12845 125X80P/PN16
109421870 SET FLOWMETER EN 12845 150X80P/PN16
109421880 SET FLOWMETER EN 12845 200X80P/PN16